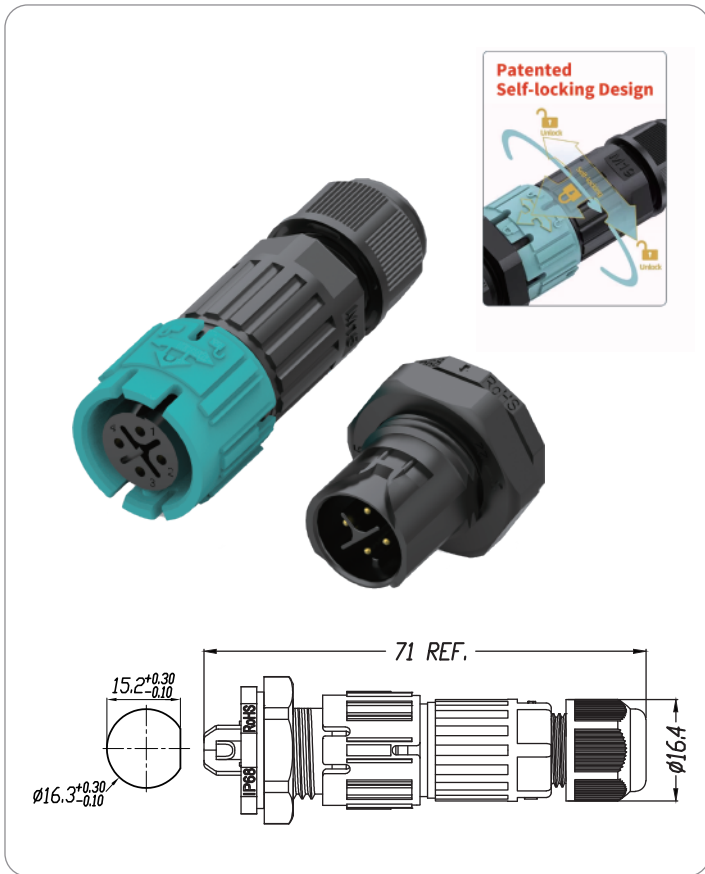


# IP68 Waterproof Connector



## EW-M15MP-XP (Front Panel Mount)

(X can be 2/3/4, denoting the number of poles)

Wiring methods:

Welding connection: Suitable for 2/3/4 pins

Housing Material: PA66

Seal Ring Material: Silicone Rubber

Terminal Material: Copper alloy

IP Rating: IP68

Fire Rating: UL94 V-0

Rated Voltage: 450V

Rated Current: 10A

Wire Section: 0.5~1.5mm<sup>2</sup>

Outer Cable Diameter: 2.5-4.5mm, 3.5-7mm

Pluggable Life: 1,500 times

Ambient Temperature: -40°C~105°C

Warranty: 3 Years

## Packaging





Export Carton (L\*W\*H): 42\*30\*26cm

Quantity: 100pcs / PE PACK (Male & Female end packed individually)

500 sets / CTN

Gross Weight: Est. 19KGs(The actual weight will be a little bit different per different SKUs)

## Options

Number of Poles	 2Pin	 3Pin	 4Pin
Seal ring			
Cable range	2.5~4.5mm	3.5~7mm	
Stripping length	6~7mm		



## Installation Illustration

