

IP68 Waterproof Connector



EW-M2068(L)-T

Wiring methods:

Terminal blocks screw wiring inside the junction box

Housing Material: PA66

Seal Ring Material: Silicone Rubber

Terminal Material: Copper alloy

IP Rating: IP68

Fire Rating: UL94 V-0

Rated Voltage: 450V

Rated Current: 40A

Wire Section: 0.5~6mm²

Outer Cable Diameter: M25: 5-9mm, 9-12mm, 10-14mm

Ambient Temperature: -40°C~105°C

Warranty: 3 Years

Packaging

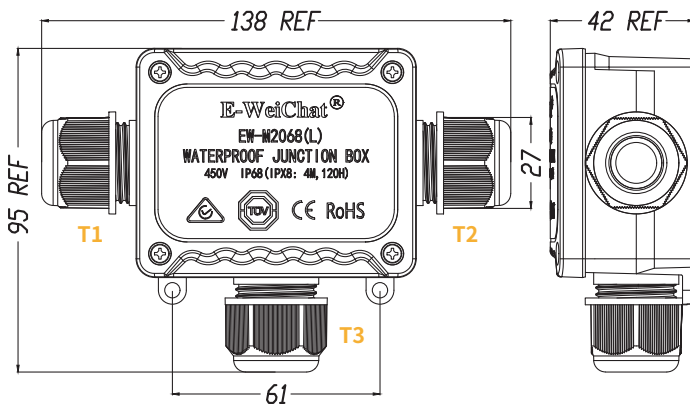
Export Carton (L*W*H): 54*43*30cm

Quantity: 1pcs / Zip bag

100pcs / CTN

Net Weight: 13.5KGs

Gross Weight: 14.5KGs



T1&T2&T3: M25



Installation Illustration

